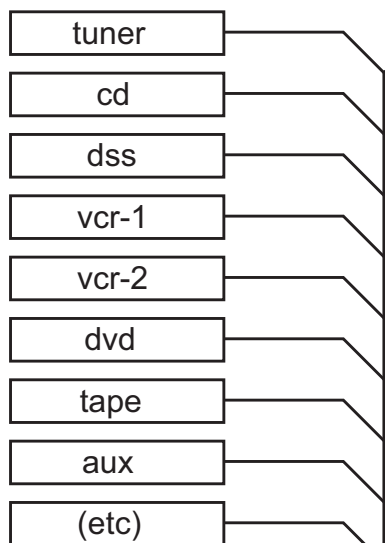
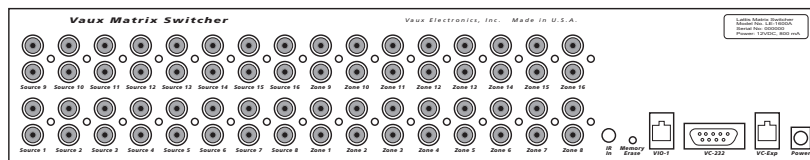
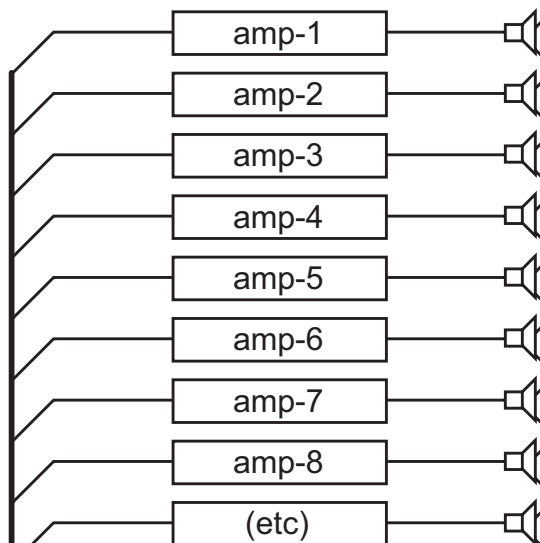


Lattis Matrix Switcher Example 1: Infrared Control

Source Components



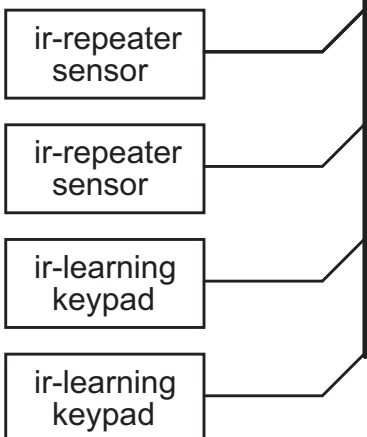
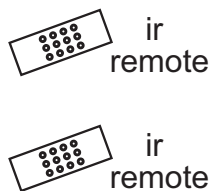
Zone Amplifiers and Speakers



Lattis Matrix Switcher

ir control to sources

connecting block (common-ir output)



Infrared Control

Control all zones using Vaux RC-16-IR remote controls, or ir-learning remote controls or keypads. Connect repeater/keypad output to Lattis Ir-In jack (or place emitter on front panel). Since Vaux zone number is embedded in commands, only one ir-input is needed.